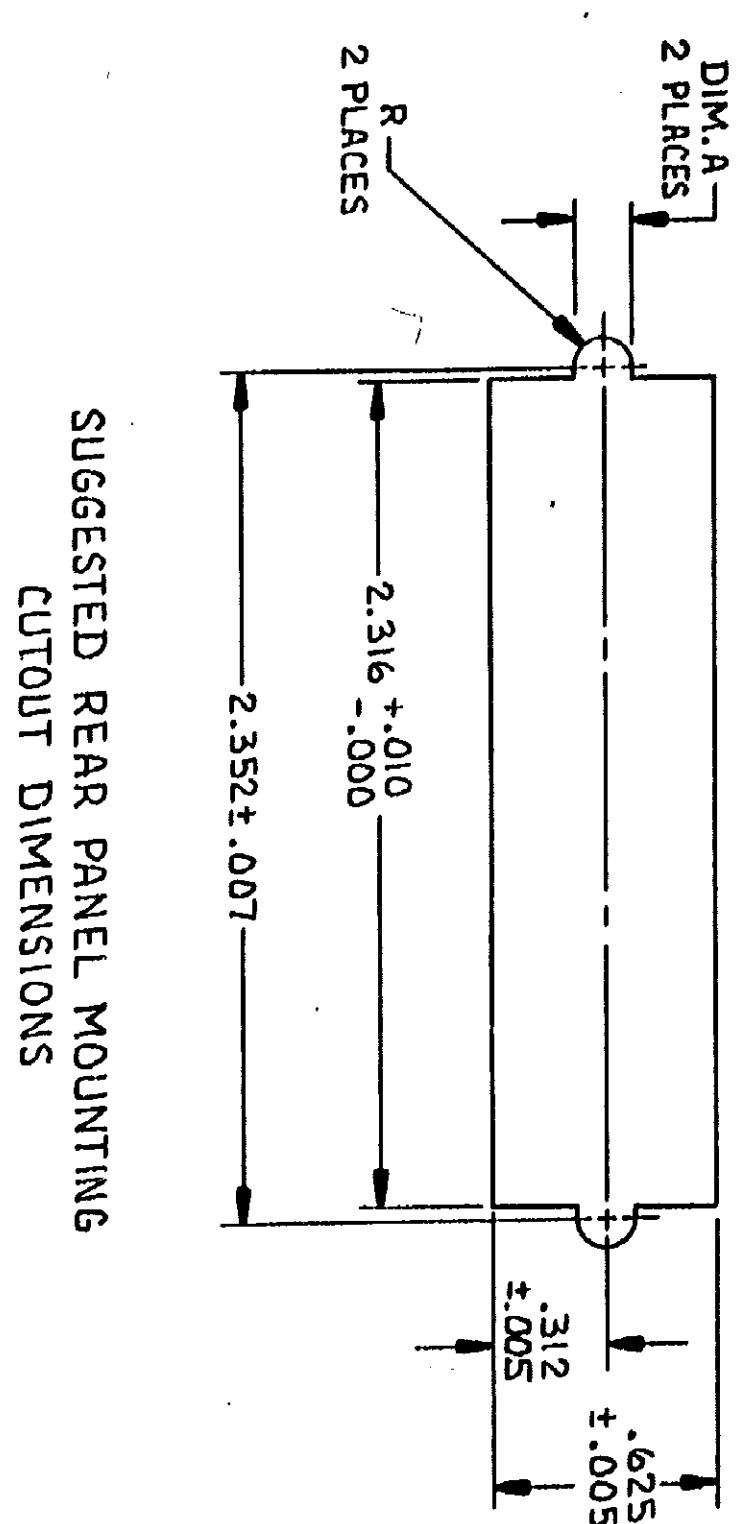
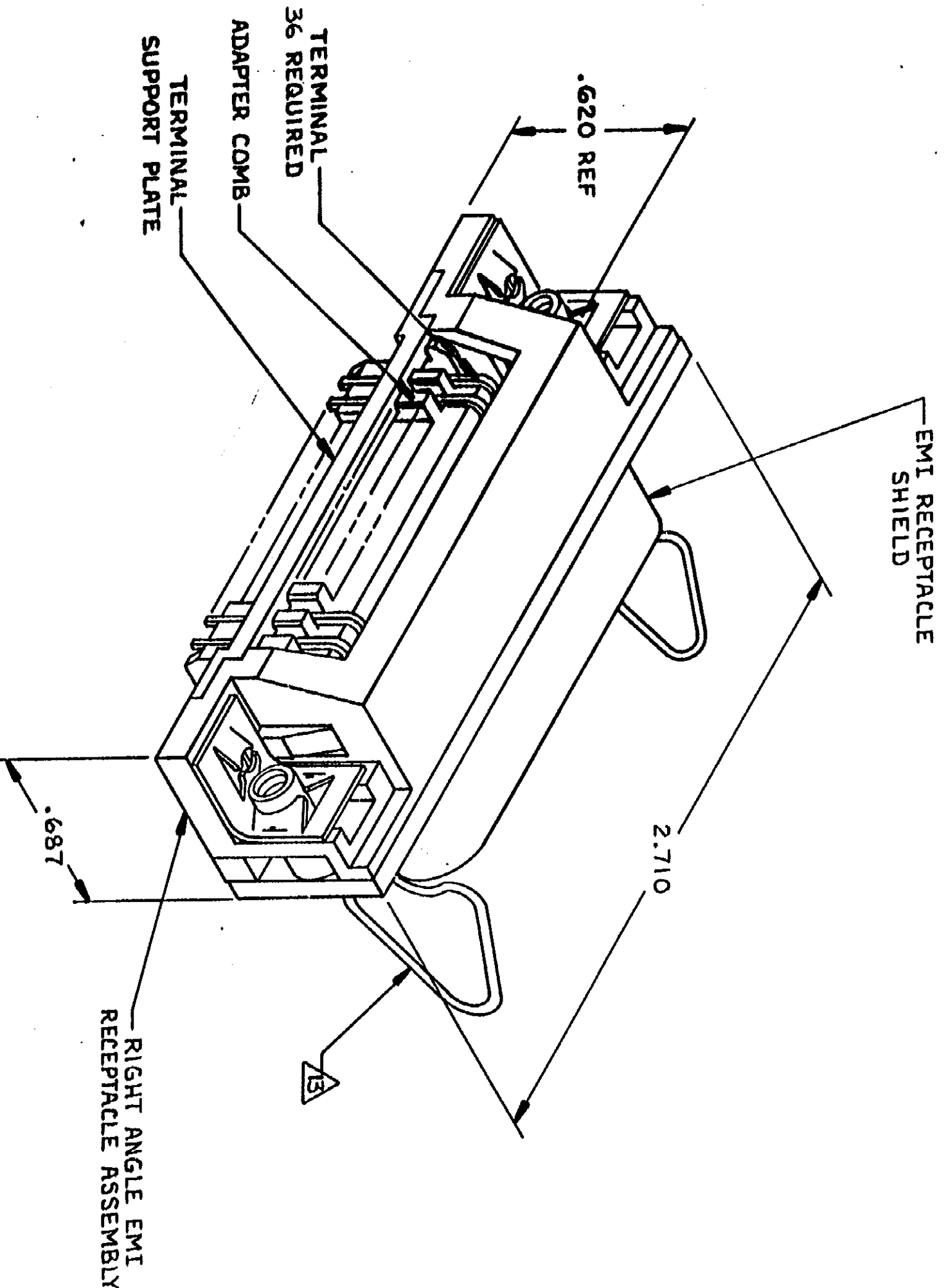
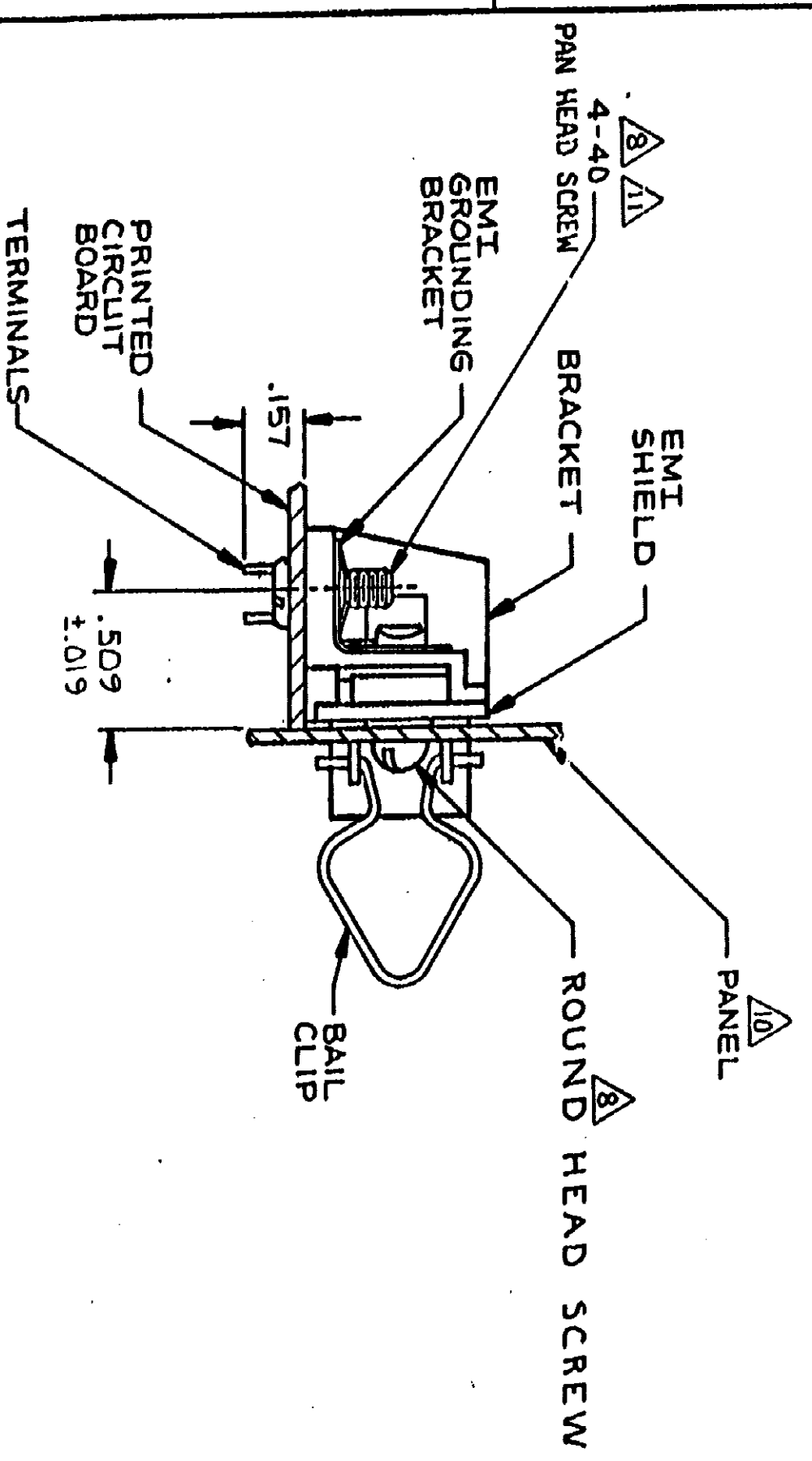
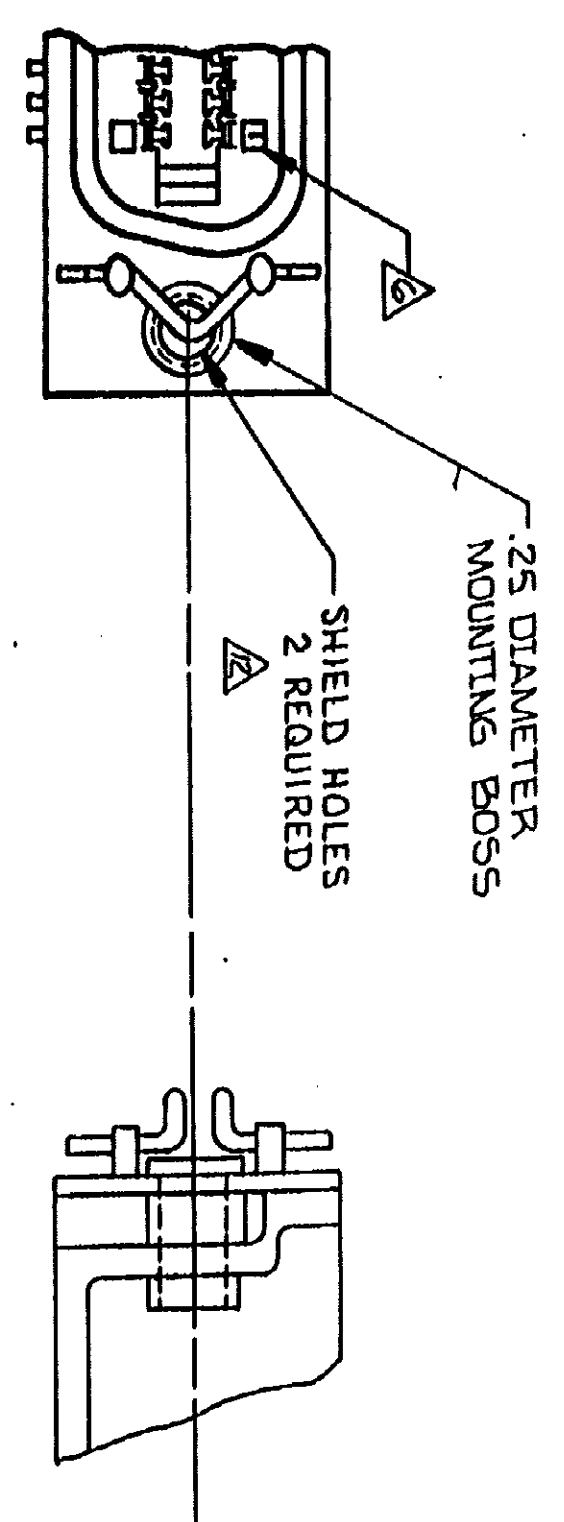
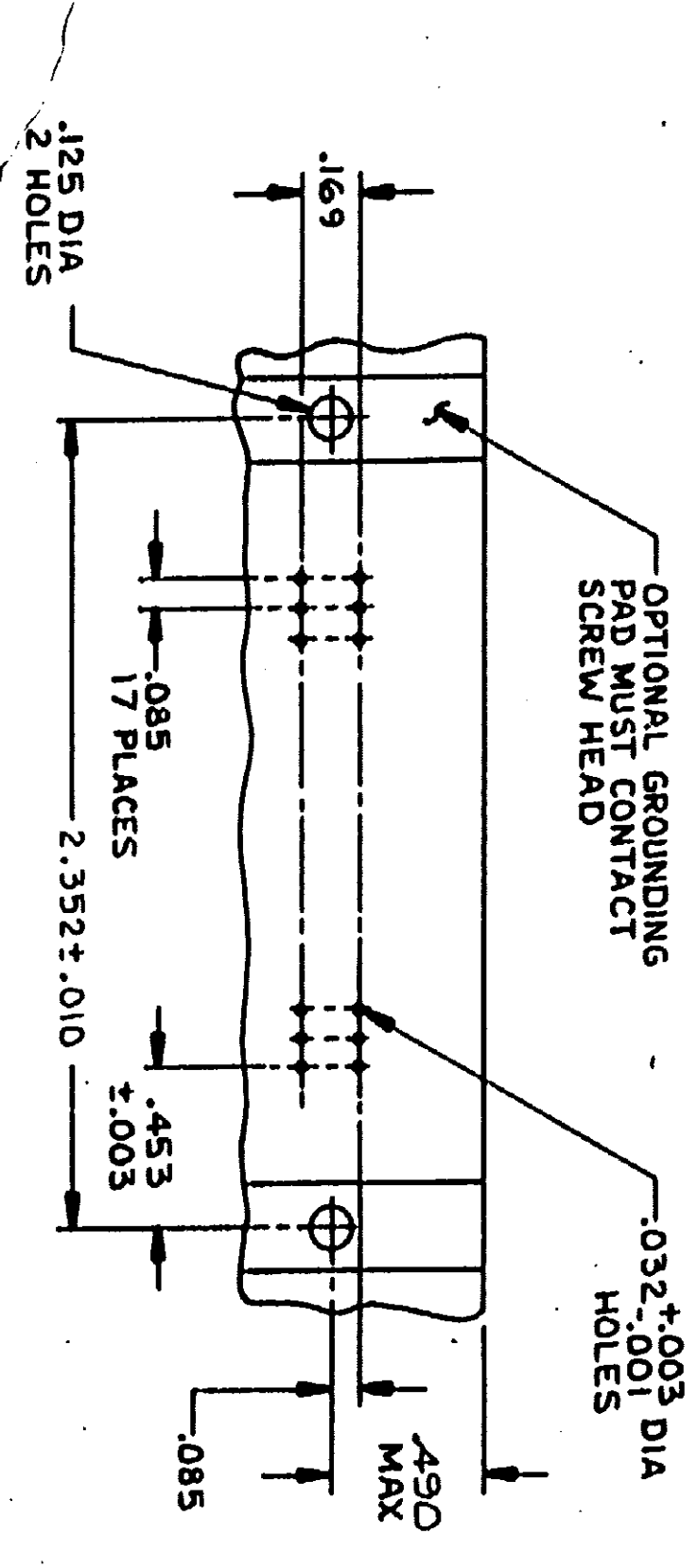


DRAWING MADE IN THIRD ANGLE PROJECTION

THIS DRAWING IS UNPUBLISHED. RELEASED FOR PUBLICATION  
 © COPYRIGHT 1982 BY AMP INCORPORATED, HARRISBURG, PA. ALL INTERNATIONAL RIGHTS RESERVED. AMP PRODUCTS MAY BE COVERED BY U.S. AND FOREIGN PATENTS AND/OR PENDING.



REV	ZONE	TR	DESCRIPTION	DATE	APPROVED
1	S		OBsolete: 4-EDN WA-7986	1-15-92	LJS

- 1 MATERIAL: HOUSING, BRACKET, ADAPTER COMB AND TERMINAL SUPPORT PLATE-THERMOPLASTIC (BLACK). EMI SHIELD-BRIGHT NICKEL OVER COPPER PLATED DIE CASTING. TERMINALS-TAILS-TIN LEAD OVER NICKEL PLATED HIGH STRENGTH COPPER ALLOY. MATTING SURFACE-LOCALIZED GOLD OVER NICKEL PLATED HIGH STRENGTH COPPER ALLOY. BAIL CLIPS-PASSIVATED STAINLESS STEEL.
- 2 THE CONTACT SURFACES OF THE TERMINALS ARE COATED WITH LUBRICANT.
- 3 CENTER-TO-CENTER SPACING OF TERMINALS IS .085.
- 4 ALL DIMENSIONS SHOWN ARE FOR REFERENCE ONLY UNLESS OTHERWISE SPECIFIED.
- 5 DETAIL A&B ARE VIEWED FROM MATING SIDE OF RECEPTACLE ASSEMBLY.
- 6 TERMINAL 1 LOCATED IN THIS ROW FOR STANDARD ORIENTATION.
- 7 SCREWS SHOWN FOR REFERENCE ONLY.
- 8 BAIL CLIPS&EMI SHIELD ARE ASSEMBLED TO CONNECTOR BEFORE SHIPMENT.
- 9 PANEL THICKNESS RANGE: .062 MAX.
- 10 STAINLESS STEEL SCREWS RECOMMENDED BECAUSE OF CONTACT WITH SOLDER BATH.
- 11 HOLES TO BE TAPPED AFTER PLATING.

CONTRACT NO		DIM. A		NAME ASSEMBLY EMT RECEPTACLE, 36 POSITION, BAIL LOCK (CHAMP, PRINTED CIRCUIT BOARD, RIGHT ANGLE, PANEL MOUNTING)	
DR	Q X447 7-26-82	4-40	STANDARD	R	553815-3
CH	MD 8-4-82	SHIELD HOLE SIZE	ORIENTATION	DETAIL	PART NO
APPRO	0.1.16 2-1-82				
DESIGN	0.1.16 2-1-82				
OTHER APPR					
FINISH		SIZE	FSM NO	DRAWING NO	
		D	00779	553815	
		SCALE	2:1	SHEET	1 OF 1

CUSTOMER DRAWING

AMP 1726-3 REV 2-81